

Electric material lift

Lifting height up to 8,7 m



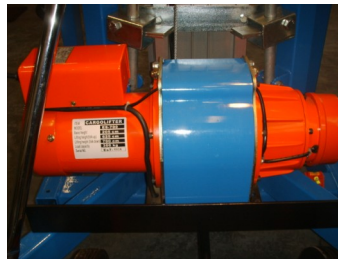
- Operating electrical 230 V or 110 V
- Automatic anti-fall system
- Easy to store.
- Reversible fork
- Folding legs can be easily set-up in seconds and easy move to next work position or easy to store.
- Compact design, easy to move to next job
- Easily to load onto a pick-up truck.
- 250 mm wheels allow traverse rough ground terrain.
- Wheel base with lifting screw - 3 fonctions (design Upter) :
 Parking device
 For use on sloping ground
 To restore easily the legs

Lifting motor

- With magnetic energized brake (power failure brke)
- Two stages atellite gear drive for long service life
- Switch box with emergency stop



Lifting screw



Lifting motor
 2230 v or 110 v

For use near the wall

- Multi-purpose lifter with counter weight.
- For use near the wall
- Multi-purpose material lift for construction site or workshop.

The frame is provided with retractable stabilizing legs each with screw level allowing use on sloping ground

Available in 5 versions :

- Motor 230 / 110 V - single phase 50/60 Hz
- Manual winch double crank (automatic brake)
 maximum load capacity 350 kg / 8 m
- Pneumatic motor

Options :

- Jib
- Own request



With Electric motor

Electric material lift



Stell pulley with upper ring



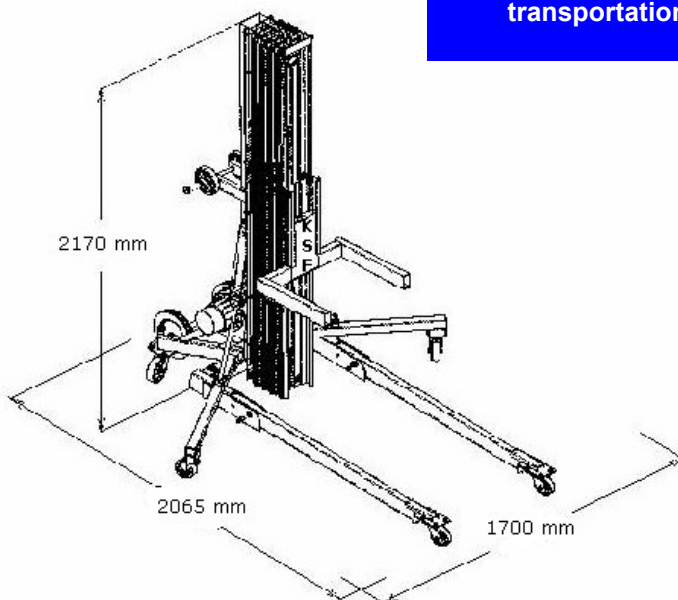
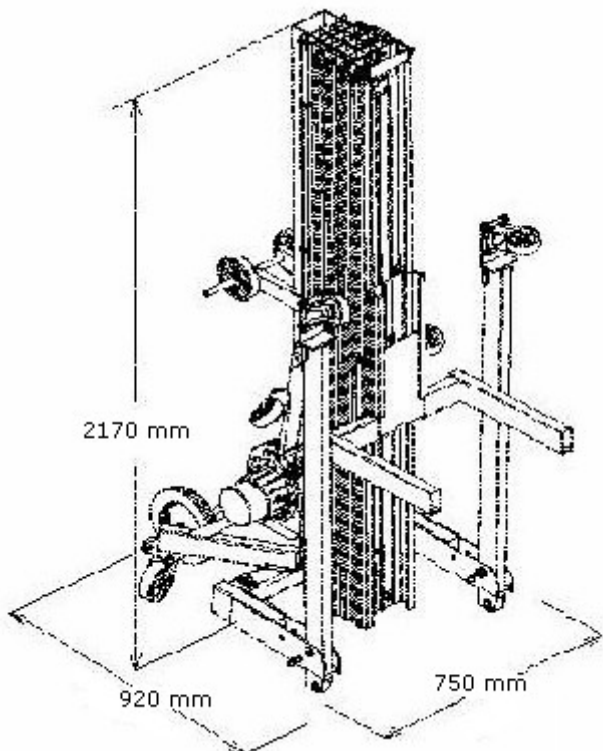
Steady brace



Transport wheels Ø 250 mm



Cable under steel crankbase and crane lifting point for safe transportation



ES - 850		
Basic Height	m	2,16
Lifting Height (Fork Up)	m	8,2
Lifting Height (Fork Down)	m	8,7
Load Capacity	kg	300
Length-Width (Store)	mm	920 x 750
Length-Width (Operating)	mm	2070 x 1700
Ground Clearance (Fork Up)	mm	170
Ground Clearance (Fork Down)	mm	600
Weight	kg	240



KeM.Tech

www.kemtech-ksf.com

KEM.TECH

Chemin Louis Hubert, 2 CH - 1213 Petit Lancy
Tel + 41 (0)79 937 09 97 Fax + 41 (0)22 545 75 39

kemtech@bluewin.ch