

- No need to use any tools for the operation
- It take only 30 seconds to complete machine set-up.
- Telescoping masts
- The overall stability is ensured by 4 feet equipped with locking wheels for use also on sloping ground
- A level ensure the proper set-up while adjusting the feet
- Can be transported by van or estate car
- **Electric lifting motor 110 V or 230 V** , remote control with **variable speed** switch.
- Manual operation is possible in case of power failure
- Automatic **Overload clutch**, to prevent over weight loading
- **Emergency stop button**: Pressing this button stops raising or lowering immediately

### Cradle with 2 vacuums

- Safety suction pump, diameter 200 mm (certified TÜV and GS) unit capacity 65 kg  
A red line on the pump's plumger serves as a vacuum indicator

Models UPTER	Load capacity with an angle of 80°	Lifting Height horizontal	Dimenssions store	Dimenssions operating	Lift weight	Cradle weight
GLS 340	70 kg / 3,3 m	3,4 m	300 x 300 mm	1000 x 1000 mm	24 kg	15 kg
GLS 520	70 kg / 3,3 m	5,2 m	380 x 380 mm	1500 x 1500 mm	38 kg	

# Portable glass lifter for patio-roof

UPTER  
GLS 340  
GLS 520



**Glass cradle** 1693 x 219 mm



**Rotating head**



**Manual operation with handle**



**Level**  
To check if the lifter is on the correct position



**Transport wheels for GLS 520**

**Accessory included**



**Platform**  
750 x 450 mm





UPTER	Capacité Traglast Capacity Capacità
G-LS	80 kg
G-CM	100 kg

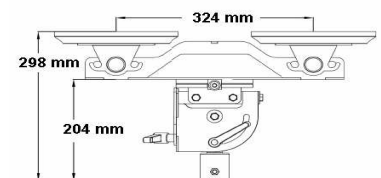
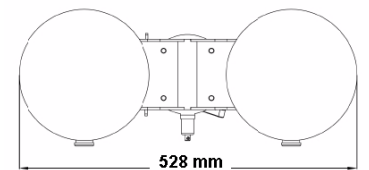
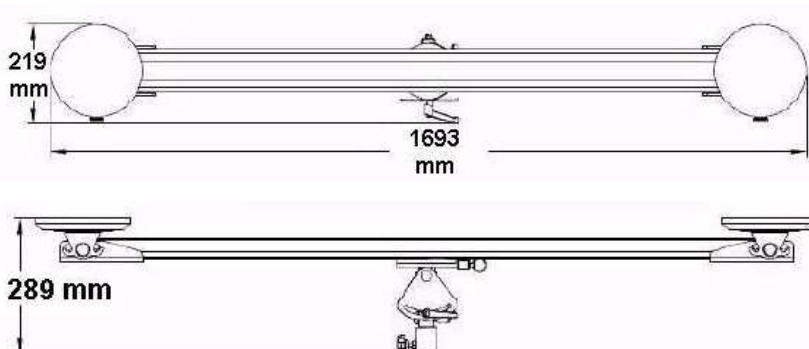


Design and Quality  
of Swiss



G-LS

G-CM



- **Ventouses** à pompe avec corps en acier et en laiton. Diamètre 200 mm, Capacité unitaire de 100 kg, capacité de sécurité TÜV de 65 kg, avec indicateur de sécurité
- **Saugheber** (TÜV geprüft) für VSG-Scheiben mit eingebauter Handpumpe. Besonders hohe Sicherheit durch Visuelle Kontrolle des Vakuums. Saugscheibe  $\varnothing$  200 mm - Traglast 100 kg, TÜV Traglast 65 kg
- **Suction pump**, diameter 200 mm, capacity 100 kg (certified TÜV safety capacity 65 kg). A red line on the pump's plunger serves as a vacuum indicator

